

ECO-MXI506

INVERTER WATER PUMP



FEATURES

ECO-MXI 506 is a fully integrated, intelligent, variable frequency pump. It comes complete with a variable frequency controller, stainless steel water pump, 3L pressure tank which can be set to maintain the required pressure.

Inverter

Due to the advanced inverter technology design the ECO-MXI506 only draws the necessary energy required which reduces power wastage.

Diaphragm 3L pressure tank

A small reservoir buffer removes water hammer from the system and prevents cycling.

Stainless steel impellers/diffusers

Designed using advanced CAD engineering fluid mechanic simulation software and manufactured using 304 stainless steel, using advanced laser welding technologies for long life durability and reliability.

Stainless steel five-way

Designed for variable speed pumps using specially designed stainless steel fitting, with integrated check valve and pressure sensor input.

Pressure sensor

Electronic pressure sensor maintains the ideal set pressure at all times.

Pressure gauge

Oil emerged anti-shock needle displaying both bar and psi.




SPECIFICATIONS

MODEL	PRODUCT CODE	POWER	VOLTAGE	CURRENT	INGRESS PROTECTION	INLET	OUTLET	MAX. PRESSURE	MAX CAPACITY	POWER CABLE LENGTH	WEIGHT
ECO MXI506	5410406055	1.1KW	220-240V	5A	IP55	32mm	25mm	60m (600kPa)	150 L/min	1.5m	15.8kg

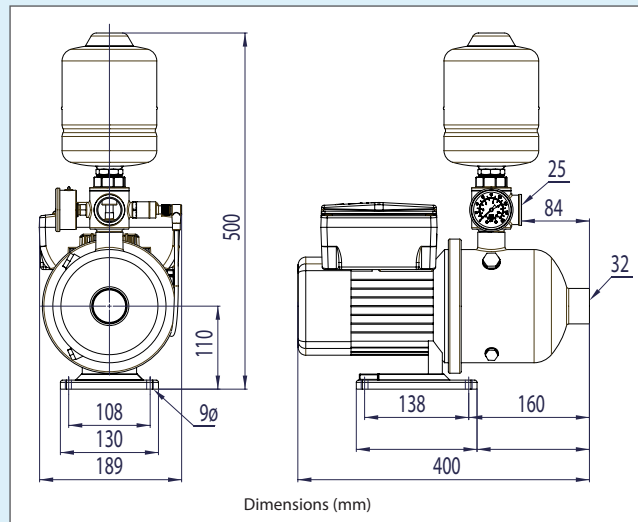
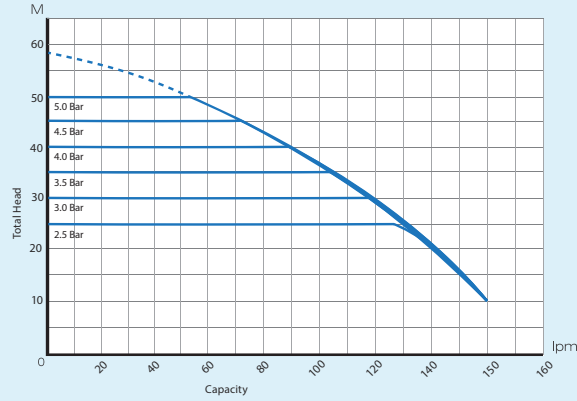
CAPACITY

ECO-MXI506 

*  = 10 lpm at 1.5bar (150kPa)



TECHNICAL DATA



PUMP BODY	SHAFT	MECHANICAL SEAL	IMPELLER MATERIAL	IMPELLERS	MAX LIQUID TEMP.	MAX SUCTION LIFT
Stainless Steel AISI 304	Stainless Steel AISI 420	Carbon/Ceramic/NBR	Stainless Steel AISI 304	6	50°C	4m